

mogogo



2022/2023

# Canvas

SHELVING SYSTEM

DISTRIBUTED BY:





**BASE UNIT WITH CASTERS** | HANGER BAR | ANGELD SHELF | CRATE  
BOTTLE HOLDER | SHELF | SHELF RETAINING BAR | SHELF WITH BORDER | DIVIDER

## INDEX

- 4 About Mogogo
- 8 About the Canvas Collection
- 9 Materials
- 10 How It Works
- 12 Details
- 14 Single unit - basic shelves
- 18 Single unit - mixed add-ons
- 22 Single unit - crates and more
- 28 Multi unit configurations
- 34 System breakdown
- 36 Add-ons
- 40 Express your shelf



A MODULAR F&B  
FURNITURE BRAND

# BORN FROM A PASSION FOR **STYLE & GASTRONOMY**



Mogogo is led by designers and chefs that are aiming to introduce innovative, luxurious, and highly functional equipment to foodservice professionals.



LINENLESS



MODULAR



MOBILE



SUSTAINABLE



ADD ONS





**BACK BAR UNIT** MGCCAN05DCXW

**MIXOLOGY SERVICE CART** MGCRNX03BSXX

**ROUND POLO DISPLAY TABLE** MGCPPR01MBXX

**PRO BAR STATION** MGCMLC05GSXW





## ABOUT THE CANVAS COLLECTION

The Canvas Collection is an innovative shelving system for the hospitality sector, acting as a blank page allowing professionals to accomplish their creative vision. The collection is ideal as a back bar or for showcasing food and beverages and related products.

It combines function with uncluttered aesthetics to create this versatile range of shelving, taking into consideration the unique and challenging requirements of foodservice.



## MATERIALS

The usage of ecological materials is part of a global movement that aims to convey the message that luxury and sustainability go together. The bamboo frame is lightweight and highly structural, joined by decorative metal features to create a fine balance between traditional woodcraft and modern design.

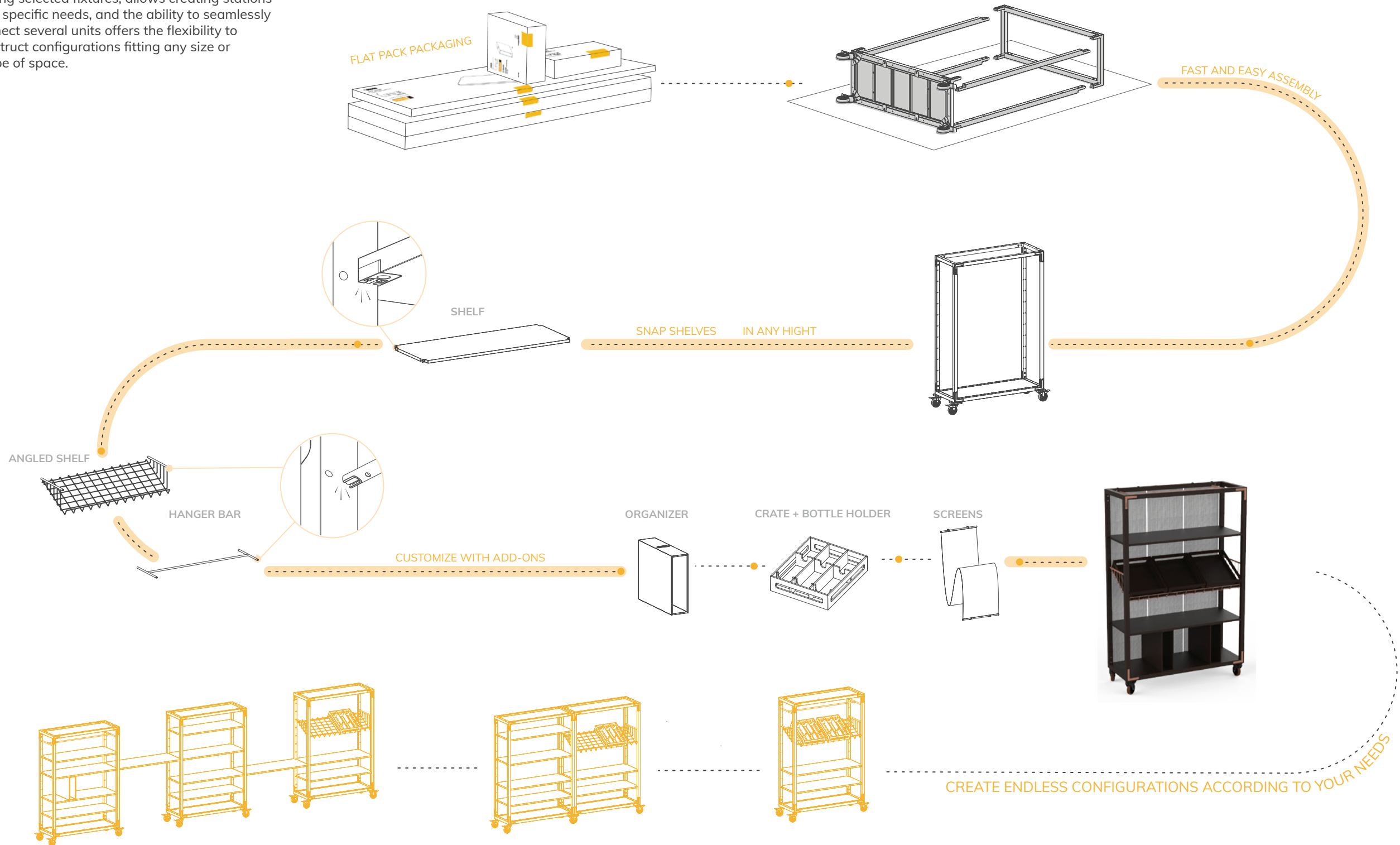
Natural horizontal bamboo | Sandblasted Stainless Steel. NATURAL

Dark brown stained bamboo | Sandblasted Copper-plated Stainless Steel. DARK LUX



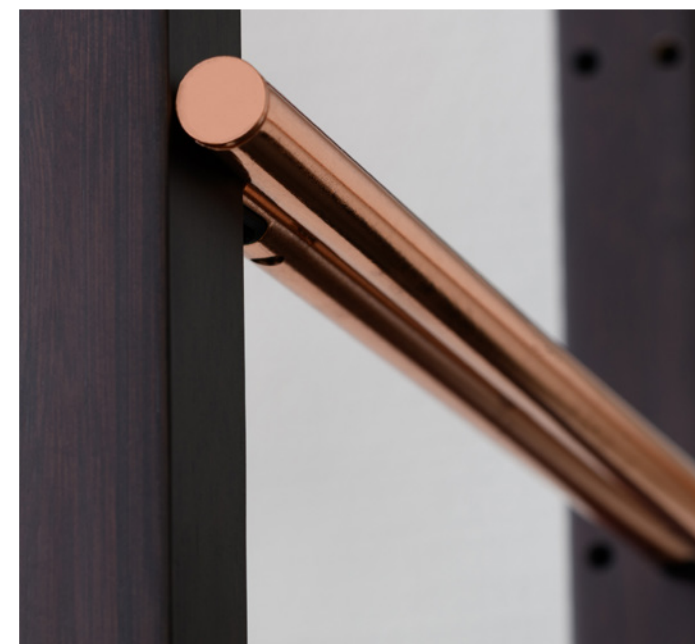
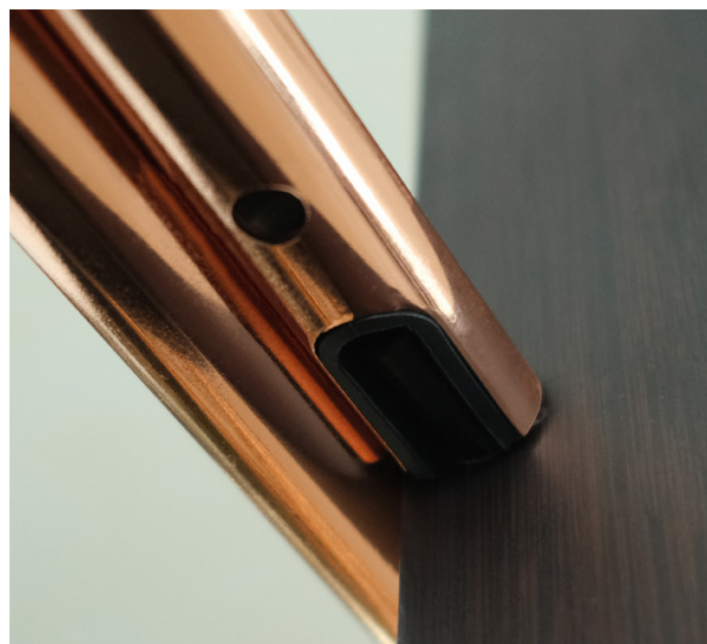
## HOW IT WORKS

Starting with an unfilled Canvas structure then adding selected fixtures, allows creating stations with specific needs, and the ability to seamlessly connect several units offers the flexibility to construct configurations fitting any size or shape of space.





**DETAILS**







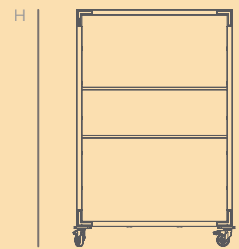
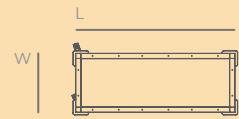
BUSSING STATION MGCCAN14NSXW



### SINGLE UNIT - BASIC SHELVES

Organization and accessibility are foundation stones for a functional station. Whether it is used front of house or behind the scenes, several shelves can be set at different heights in a matter of seconds creating a practical and stylish tool. The unit can be covered partially or completely with the use of easy to install screens.



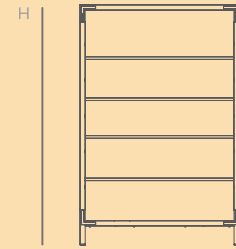
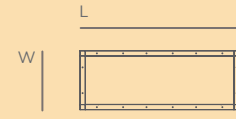


L48½" W18" H73½"  
L122.5cm W46cm H186cm



**TWO SHELF UNIT**

- NATURAL | CASTERS ..... MGCCAN17NSXW
- NATURAL | LEGS ..... MGCCAN17NSXF
- DARK-LUX | CASTERS ..... MGCCAN17DCXW
- DARK-LUX | LEGS ..... MGCCAN17DCXF

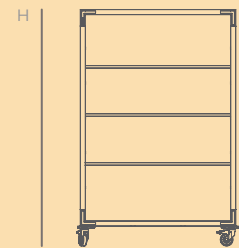
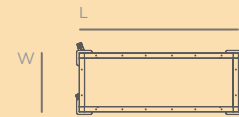


L48½" W18" H73½"  
L122.5cm W46cm H186cm



**FOUR SHELF UNIT**

- NATURAL | CASTERS ..... MGCCAN18NSXW
- NATURAL | LEGS ..... MGCCAN18NSXF
- DARK-LUX | CASTERS ..... MGCCAN18DCXW
- DARK-LUX | LEGS ..... MGCCAN18DCXF

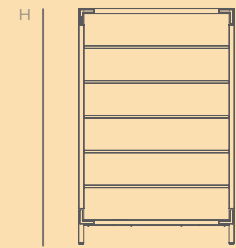
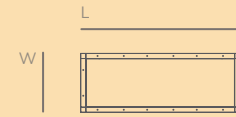


L48½" W18" H73½"  
L122.5cm W46cm H186cm



**THREE SHELF UNIT**

- NATURAL | CASTERS ..... MGCCAN14NSXW
- NATURAL | LEGS ..... MGCCAN14NSXF
- DARK-LUX | CASTERS ..... MGCCAN14DCXW
- DARK-LUX | LEGS ..... MGCCAN14DCXF



L48½" W18" H73½"  
L122.5cm W46cm H186cm



**FIVE SHELF UNIT**

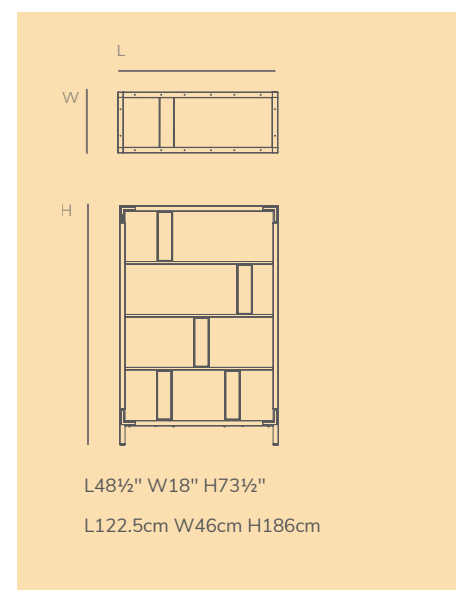
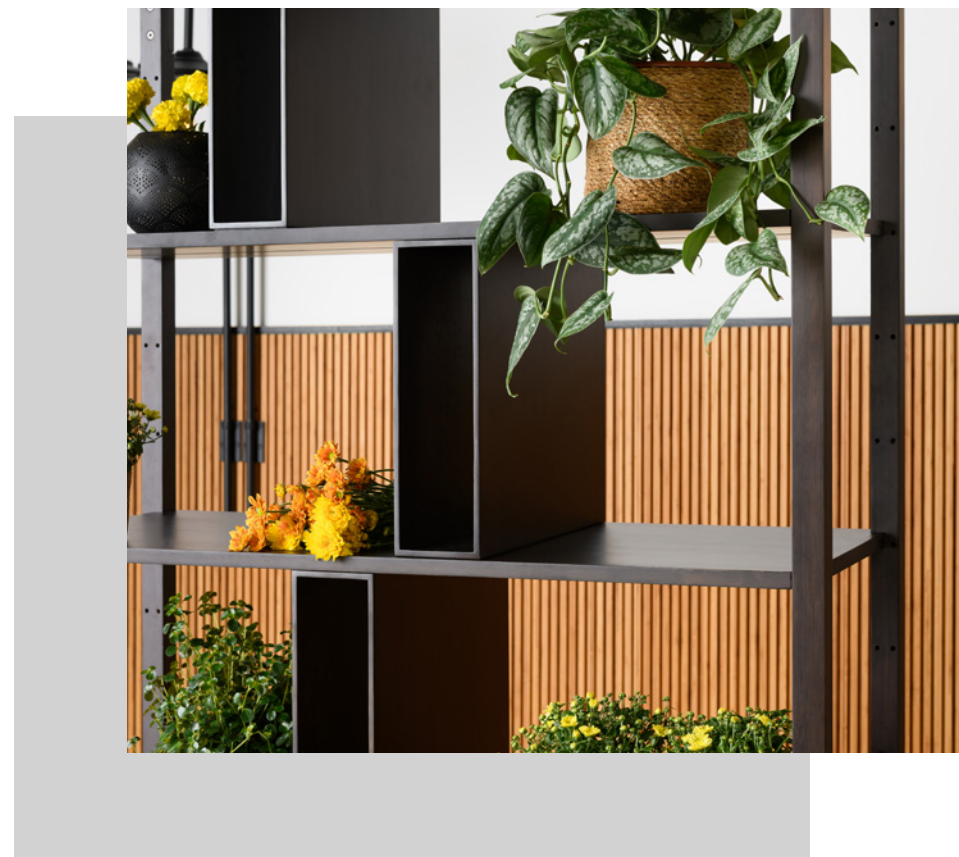
- NATURAL | CASTERS ..... MGCCAN09NSXW
- NATURAL | LEGS ..... MGCCAN09NSXF
- DARK-LUX | CASTERS ..... MGCCAN09DCXW
- DARK-LUX | LEGS ..... MGCCAN09DCXF

## SINGLE UNIT - MIXED ADD-ONS

Mixing and matching is as simple as ever, and while installing the add-ons is user-friendly, the outcome is sophisticated and versatile. The shelf selection and designated add-ons are intended to offer you the freedom of expression when presenting food and beverage or your decoration of choice.



ROOM DIVIDER MGCCAN08DCXW



### ROOM DIVIDER

This Room Divider creates a sophisticated atmosphere and lining up multiple units can create division and a seamless appearance to any space. The shelf rail allows the dividers to be moved easily while in place to achieve a customized solution for your specific needs.



NATURAL | CASTERS.....MGCCAN08NSXW  
**NATURAL | LEGS**.....MGCCAN08NSXF  
 DARK-LUX | CASTERS.....MGCCAN08DCXW  
 DARK-LUX | LEGS.....MGCCAN08DCXF

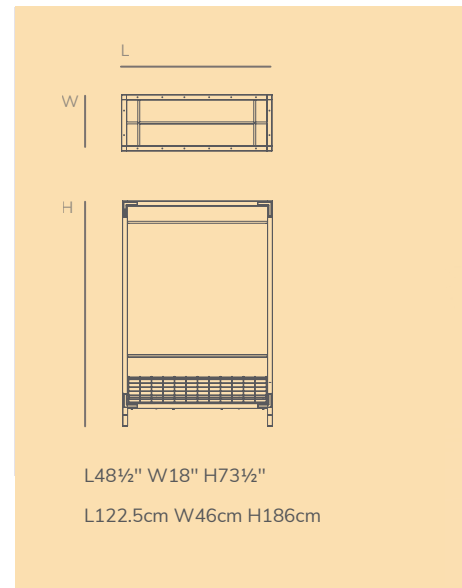




**DESSERT STATION**

This unit aims to focus attention on selected food items, such as exquisite "petit fours" or other food creations you wish to treat and showcase as jewels. It comes with two shelves and a slick sign to let your guests know what all the fuss is about.

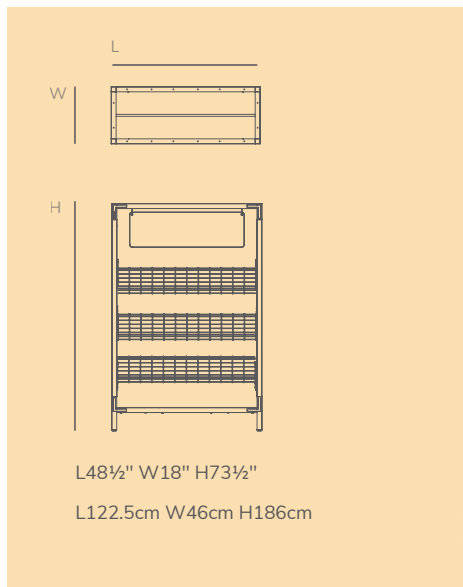
- **NATURAL | CASTERS**.....MGCCAN15NSXW
- NATURAL | LEGS.....MGCCAN15NSXF
- DARK-LUX | CASTERS.....MGCCAN15DCXW
- DARK-LUX | LEGS.....MGCCAN15DCXF



**COAT RACK**

The Canvas system function can be stretched beyond the common usage to other hospitality areas, such as this portable coat rack station and many others, helping to overcome your daily challenges.

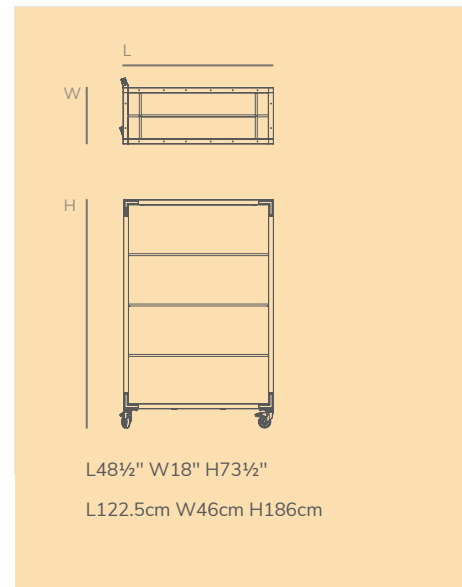
- NATURAL | CASTERS.....MGCCAN11NSXW
- NATURAL | LEGS.....MGCCAN11NSXF
- DARK-LUX | CASTERS.....MGCCAN11DCXW
- **DARK-LUX | LEGS**.....MGCCAN11DCXF



**ANGLED SHELF SIGNAGE UNIT**

This unit takes food presentation seriously! The angled stainless steel wire shelf offers food and related ingredients to be presented in an optimal style, and the hanging blackboard sign allows you to compose a unique story time after time.

- NATURAL | CASTERS.....MGCCAN16NSXW
- **NATURAL | LEGS**.....MGCCAN16NSXF
- DARK-LUX | CASTERS.....MGCCAN16DCXW
- DARK-LUX | LEGS.....MGCCAN16DCXF



**HANGING UNIT**

A clean and mentalistic hanging station offers to use the Canvas in exacting ways and discover new ideas to wow your guests, such as an indoor vertical herb garden or other ideas that you will come up with.

- NATURAL | CASTERS.....MGCCAN10NSXW
- NATURAL | LEGS.....MGCCAN10NSXF
- **DARK-LUX | CASTERS**.....MGCCAN10DCXW
- DARK-LUX | LEGS.....MGCCAN10DCXF



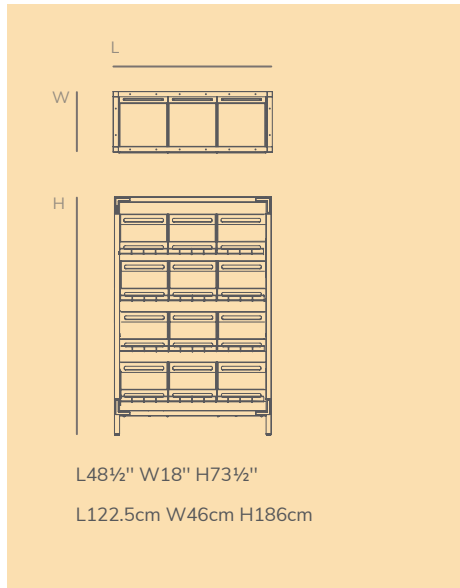
GRAB AND GO SIGNAGE UNIT MGCCAN03NSXW



### SINGLE UNIT - CRATES AND MORE

This group of configurations is defined by the crates they hold, allowing the operator to store and display most anything they wish. Combined with shelving and signage, they can perform many functions in a variety of locations while offering versatility and beauty.

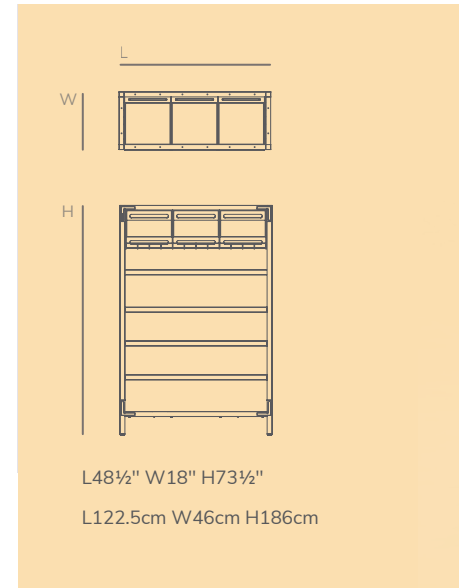




**ANGLED SHELF UNIT**

The wooden display crates with fresh vegetables, breads, combined with the olive oil bottles, bags of flour and other quality ingredients, are sure to tell your guest that a wonderful dish is on the way. Ultimately, completing the sensory experience that is so essential in hospitality!

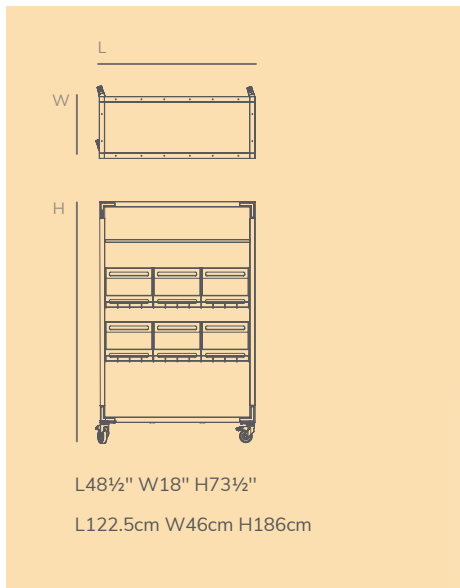
- **NATURAL | CASTERS**.....MGCCAN12NSXW
- NATURAL | LEGS.....MGCCAN12NSXF
- DARK-LUX | CASTERS**.....MGCCAN12DCXW
- DARK-LUX | LEGS.....MGCCAN12DCXF



**GRAB AND GO UNIT**

Snacks, fruit and a variety of goods your guests desire to Grab and Go, will be displayed perfectly on this Canvas configuration. The angled shelf will improve visibility and create a complete experience.

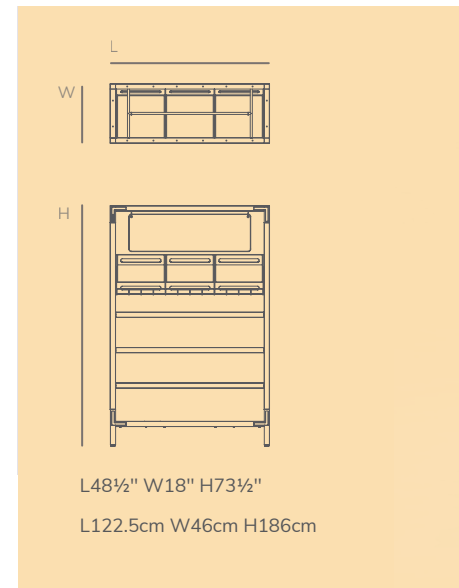
- NATURAL | CASTERS.....MGCCAN02NSXW
- NATURAL | LEGS.....MGCCAN02NSXF
- DARK-LUX | CASTERS.....MGCCAN02DCXW
- **DARK-LUX | LEGS**.....MGCCAN02DCXF



**FARM TO TABLE**

What is more appetizing than knowing that what you are about to eat is made from farm fresh ingredients. This Farm to Table Station was developed with this in mind and provides you a variety of display solutions that can effortlessly be customized according to the menu.

- NATURAL | CASTERS.....MGCCAN04NSXW
- NATURAL | LEGS.....MGCCAN04NSXF
- **DARK-LUX | CASTERS**.....MGCCAN04DCXW
- DARK-LUX | LEGS.....MGCCAN04DCXF



**GRAB AND GO SIGNAGE UNIT**

Like the Grab and Go unit above, it has the angled shelf, but also includes a chalkboard to make it very clear to your guests that tasty treats are available.

- NATURAL | CASTERS.....MGCCAN03NSXW
- **NATURAL | LEGS**.....MGCCAN03NSXF
- DARK-LUX | CASTERS.....MGCCAN03DCXW
- DARK-LUX | LEGS.....MGCCAN03DCXF



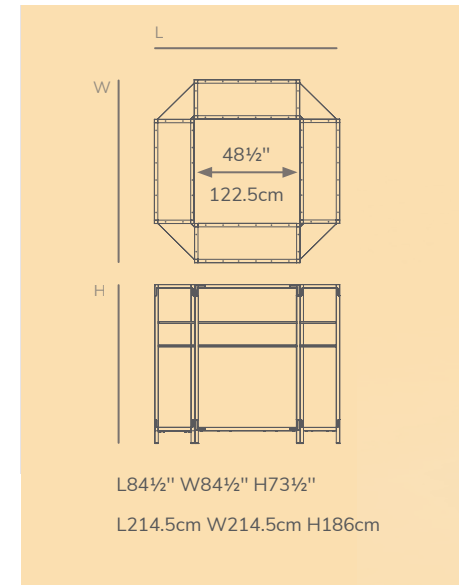


FARM TO TABLE MGCCAN04DCXW  
THREE SHELF UNIT MGCCAN14NSXW  
GRAB AND GO SIGNAGE UNIT MGCCAN03NSXW





**CENTER STAGE DISPLAY** MGCCAN19NSXW  
 (Shown with optional Golden-Brown screens)



**CENTER STAGE DISPLAY**

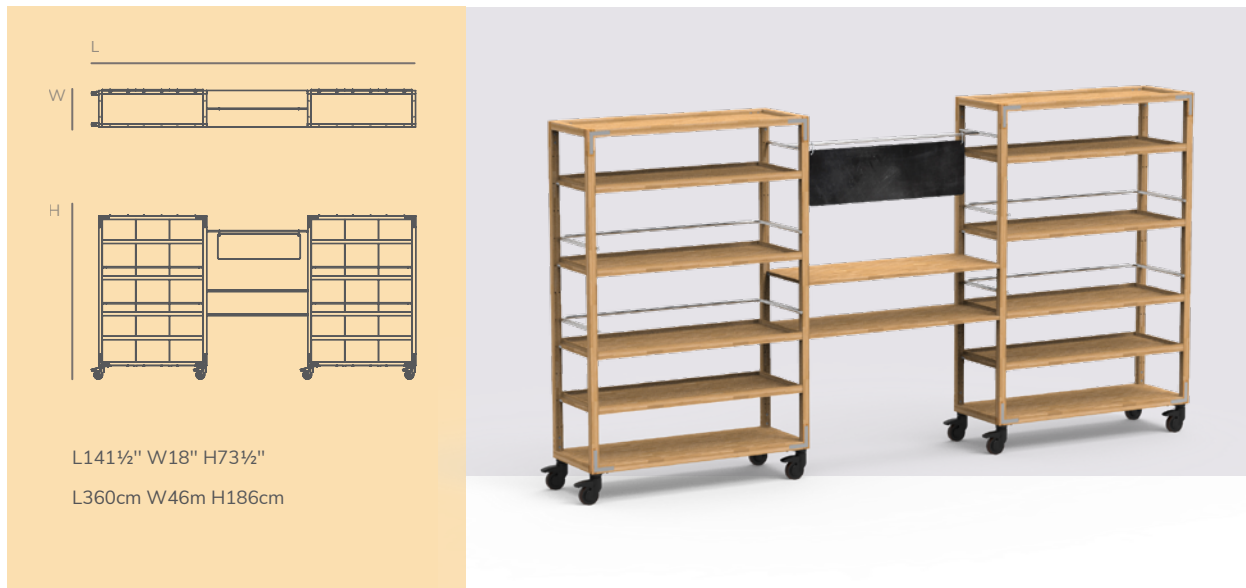
Whether you're trying to make a statement in the middle of your room or wanting to utilize the space around that awkward pillar, this station will do both. The ability to connect the Canvas shelving units with the corner shelf connectors adds a dimension the traditional buffet furniture lacks and the results can be functional and stunning.

- NATURAL | CASTERS.....MGCCAN19NSXW
- NATURAL | LEGS.....MGCCAN19NSXF
- DARK-LUX | CASTERS.....MGCCAN19DCXW
- DARK-LUX | LEGS.....MGCCAN19DCXF

**MULTI UNIT CONFIGURATIONS**

If your space allows the use of several units, the addition of the unit connectors, straight shelves and corner shelves, is a cost effective way to add additional display space. In addition, it creates straight or angled structures that act as living walls, allowing you to express your artistic talents.





#### BACK BAR UNIT

A luxurious back bar tells a story and lets your guest know that they have arrived at their destination and will be treated accordingly. Whether they seek a revitalizing cocktail or a glass of wine, the look and feel you create will set the tone.

■ NATURAL   CASTERS	MGCCAN05NSXW
NATURAL   LEGS	MGCCAN05NSXF
■ DARK-LUX   CASTERS	MGCCAN05DCXW
DARK-LUX   LEGS	MGCCAN05DCXF



#### COFFEE LOUNGE

Double espresso, butter Croissant, and the newspaper of the day! No matter where you wake up, it's a great way to start another busy day. The flexibility of the Canvas Collection can turn your pleasant but hard to utilize space into an attractive area that gives a look and feel of a neighborhood café.

NATURAL   CASTERS	MGCCAN07NSXW
NATURAL   LEGS	MGCCAN07NSXF
DARK-LUX   CASTERS	MGCCAN07DCXW
■ DARK-LUX   LEGS	MGCCAN07DCXF



#### WINE DISPLAY

At the end of the day, a glass of red wine, cheese, and snacks can turn into a worthy memory. This elegant configuration allows for the serving of wine and related foods in a way that is sure to impress. Each unit comes with casters allowing for easy mobility when moving from one event to another.

NATURAL   CASTERS	MGCCAN06NSXW
NATURAL   LEGS	MGCCAN06NSXF
■ DARK-LUX   CASTERS	MGCCAN06DCXW
DARK-LUX   LEGS	MGCCAN06DCXF



#### SELF SERVICE

Juice boxes or sweets? What decorations will enhance the experience to create something modern and minimalist, or a warmer and more country style. The self service configuration gives you the tools to express your desired concept no matter what the occasion is.

■ NATURAL   CASTERS	MGCCAN01NSXW
NATURAL   LEGS	MGCCAN01NSXF
DARK-LUX   CASTERS	MGCCAN01DCXW
DARK-LUX   LEGS	MGCCAN01DCXF



CDG	8655	2	245 - 264	CHECK-IN
CN	0708	2	204 - 247	CHECK-IN
CZ	7122	2	KIOSK	CHECK-IN
DY	3581	2	KIOSK	
EI	0645	1		
EK	0140	1	171 - 178	CHECK-IN



**COFFEE LOUNGE MGCCAN07DCXW**  
(shown with optional Charcoal-Black Screens)





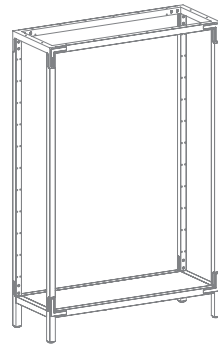
MGCCAN04DCXW

## SYSTEM BREAKDOWN

Starting with a blank rectangular structure (on casters or legs) acting as an empty page that awaits your ideas and needs to be explored. Our Canvas Shelving System was born from the basic idea that your F&B Furniture should adapt to your ever-varying needs during different functions. It allows you to pick and choose basic elements such as shelves with or without borders, hanging bars, signs, organizers, and more.



## BUILD YOUR OWN UNITS



**EMPTY UNIT WITH LEGS**  
L48½" W18" H73½"  
L122.5cm W46cm H186cm



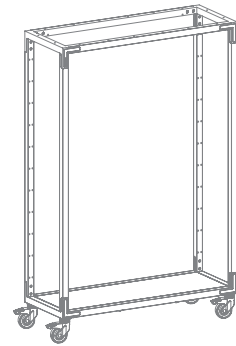
Natural horizontal bamboo sandblasted stainless steel

MGCCAN13NSXF



Dark brown stained bamboo Sandblasted Copper plating

MGCCAN13DCXF



**EMPTY UNIT WITH CASTERS**  
L48½" W18" H73½"  
L122.5cm W46cm H186cm

MGCCAN13NSXW

MGCCAN13DCXW

## ADD-ONS SHELVES



Natural horizontal bamboo sandblasted stainless steel

MGSCANBM0201



Dark brown stained bamboo Sandblasted Copper plating

MGSCANDB0201



**SHELF**  
L46½" W18" H0.8"  
L118.5cm W46cm H2cm



**SHELF WITH BORDER**  
L46½" W18" H1½"  
L118.5cm W46cm H4cm

MGSCANBM0701

MGSCANDB0701



**TOP FRAME SHELF**  
L45" W15" H0.8"  
L114.5cm W38cm H2cm

MGSCANBM0601

MGSCANDB0601

## ADD-ONS



Natural horizontal bamboo sandblasted stainless steel

MGSCANSS0101



Dark brown stained bamboo Sandblasted Copper plating

MGSCANSC0101



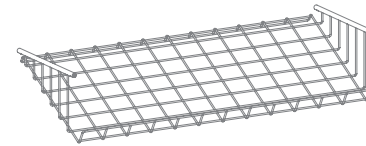
**HANGER BAR**  
Comes with 5 Hooks  
L46½" W15" H½"  
L118cm W38cm H1.6cm



**TOP FRAME HANGER BAR**  
Comes with 5 Hooks  
L38" W16½" H½"  
L96cm W41.5cm H1.5cm

MGSCANSS0201

MGSCANSC0201



**ANGLED SHELF**  
Can fit up to 3 crates  
L46½" W18" H9½"  
L118cm W46cm H24cm

MGSCANSS0301

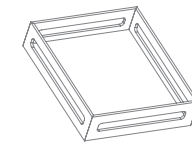
MGSCANSC0301



**SHELF RETAINING BAR**  
L46½" W18" H0.6"  
L118cm W46cm H1.6cm

MGSCANSS0401

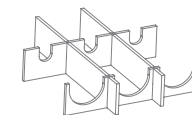
MGSCANSC0401



**CRATE**  
L17½" W14.½" H4"  
L44cm W37.5cm H10cm

MGSCANBM0301

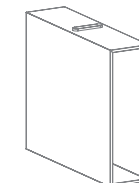
MGSCANDB0301



**BOTTLE HOLDER**  
fits Crate  
L16½" W14" H3½"  
L42.5cm W36cm H8.5cm

MGSCANBM0401

MGSCANDB0401

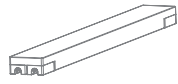


**ORGANIZER**  
L18" W4½" H15½"  
L46cm W12cm H39cm

MGSCANBM0501

MGSCANDB0501

## ADD-ONS



**UNIT CONNECTORS**  
To connect two units | Set of 2  
L15" W1.5" H0.8"  
L38cm W4cm H2cm



Natural horizontal  
bamboo sandblasted  
stainless steel

MGSCANBM0901



Dark brown stained  
bamboo Sandblasted  
Copper plating

MGSCANDB0901

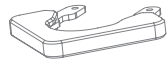


**CORNER SHELF CONNECTOR**  
To connect two units in 90° | Set of 2  
L18" W18" H0.8"  
L46cm W46cm H2cm

MGSCANBM1101

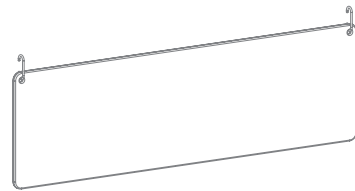
MGSCANDB1101

## MISCELLANEOUS ADD-ONS



**BUMPERS**  
set of 4  
L5" W5" H0.6"  
L12cm W12cm H1.6cm

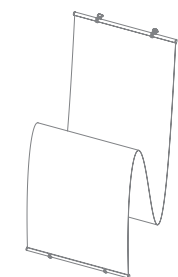
MGSCANSM0801



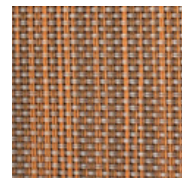
**SIGN**  
Comes with 2 Hooks  
L37" W11½" H½"  
L94cm W29cm H1cm

MGSCANSM0901

## SCREENS

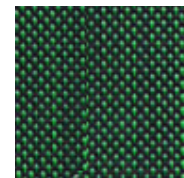


**EASY TO INSTALL SCREENS**  
Set of 5- Available in various colors  
L67" W15"  
L170cm W38cm



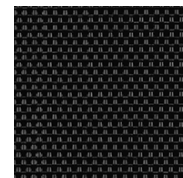
Golden-Brown

MGSCANPV0201



Jungle-Green

MGSCANGP0101



Charcoal-Black

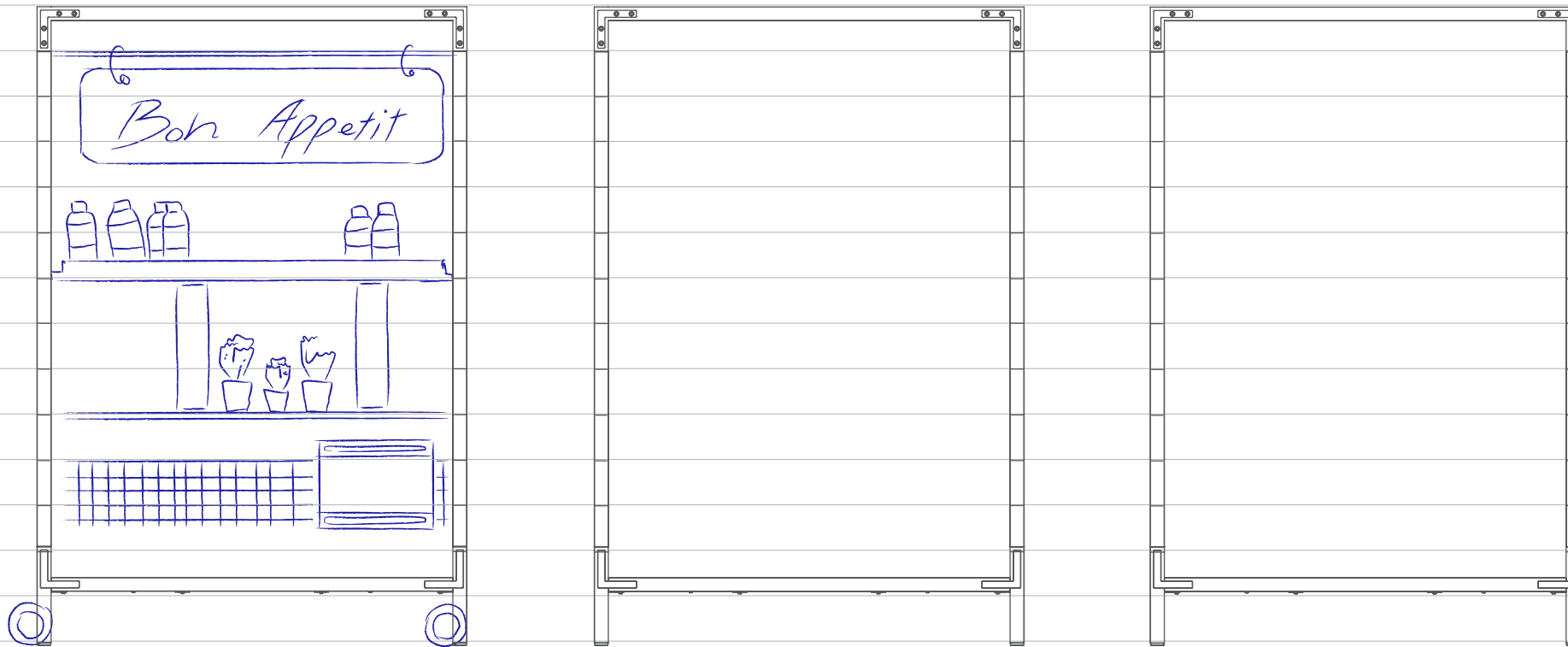
MGSCANPV0101



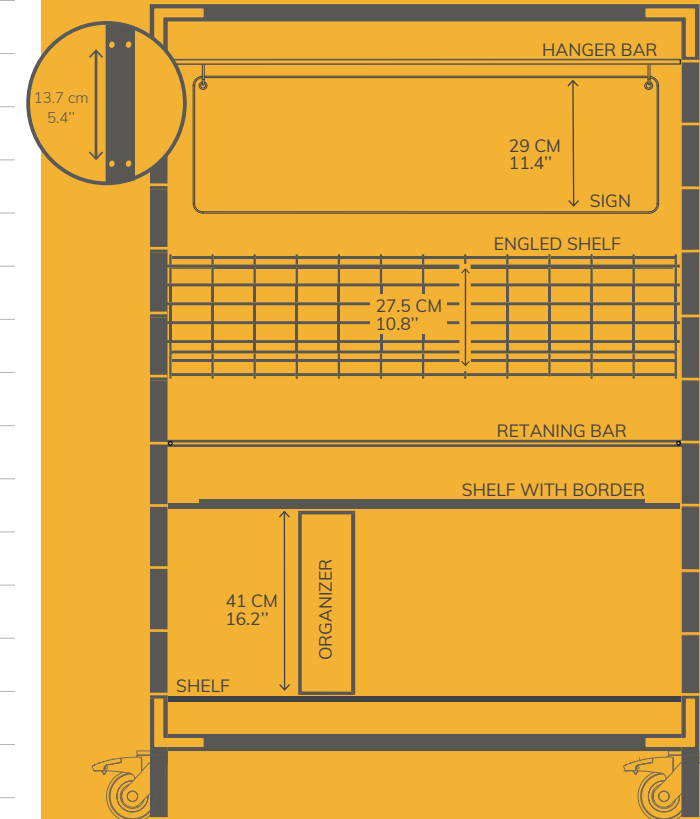
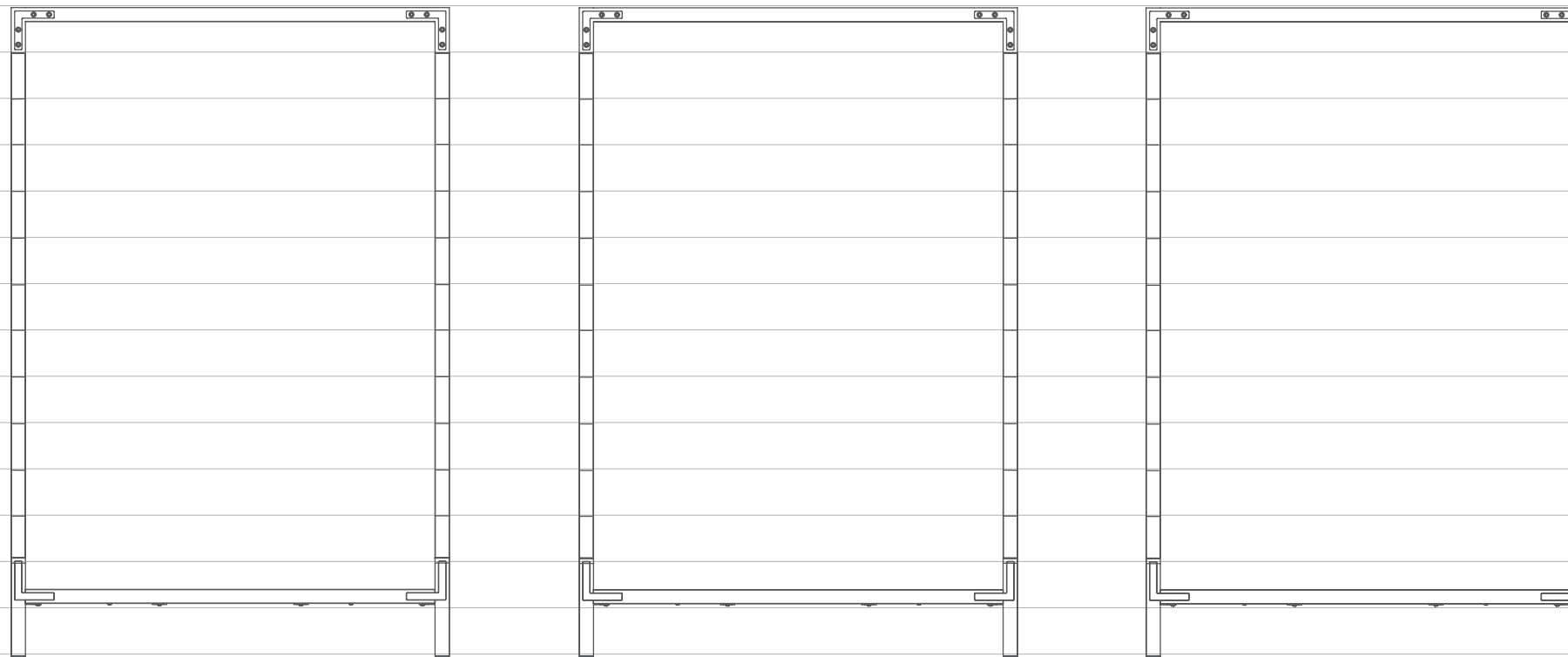
COAT RACK MGCCAN11NSXW



Sketch your own Canvas configuration by choosing from a variety of shelves and add-ons using the 2D drawing to explore options.



- TOP FRAME SHELF ..... 
- SHELF ..... 
- ANGLED SHELF ..... 
- SHELF WITH BORDER ..... 
- SHELF RETAINING BAR ..... 
- SIGN ..... 
- TOP FRAME HANGER BAR ..... 
- HANGER BAR ..... 
- CRATE ..... 
- BOTTLE HOLDER ..... 
- BUMPERS ..... 
- ORGANIZER ..... 







www.steelite.com  
America  
154 Keystone Drive  
New Castle, Pennsylvania 16105  
toll free: 800-367-3493  
Telephone: 724-856-4900  
Fax: 724-856-7925  
Email: usa@steelite.com

Canada  
Unit 2, 26 Riviera Drive  
Markham, Ontario L3R 5M1  
Toll Free: 800-465-4284  
Telephone: 905-752-1074  
Fax: 905-752-1120  
Email: canada@steelite.com

United Kingdom &  
Republic of Ireland Steelite  
International Ltd Orme  
Street  
Stoke-on-Trent  
ST6 3RB  
England  
Telephone: +44 (0)1782 821 000  
Fax: +44 (0)1782 819 926  
Email: headoffice@steelite.com

Showrooms available by appointment:  
Atlanta • Chicago • Cincinnati • Las Vegas  
London, UK • Los Angeles • New York  
Stoke-on-Trent • Toronto, ON • Washington, D.C.  
Youngstown, OH

For more info  
about  
Canvas collection



US Patent no US010415618B2  
US Patent no US009210998B2  
More configurations can be found on our website.  
Dimensions are approximated due to conversions.  
The entire content is subject to misprints and errors.  
Item No. S-CTL-PR-11-01



[www.mogogo-buffet.com](http://www.mogogo-buffet.com)  
[info@mogogo-buffet.com](mailto:info@mogogo-buffet.com)

---



[www.steelite.com](http://www.steelite.com)



### CHECK OUT OUR OTHER COLLECTIONS



Roll'n  
SERVICE CARTS



Clix  
TABLES



Modular  
SYSTEM



PoLo  
TABLES



V-Shield  
SYSTEM